



TRIPLEX 3 BURNER GRILL & OVEN

FEATURES:

- Seamless stainless steel oven
- 1 small burner
- 2 large burners
- Glass lid
- Flame failure to all burners
- Electronic ignition
- Non-reflective oven door allows viewing during cooking
- Colour: Midnight

Part Number: SA3003MDE



NEW MODERN STYLE HANDLES AND KNOBS

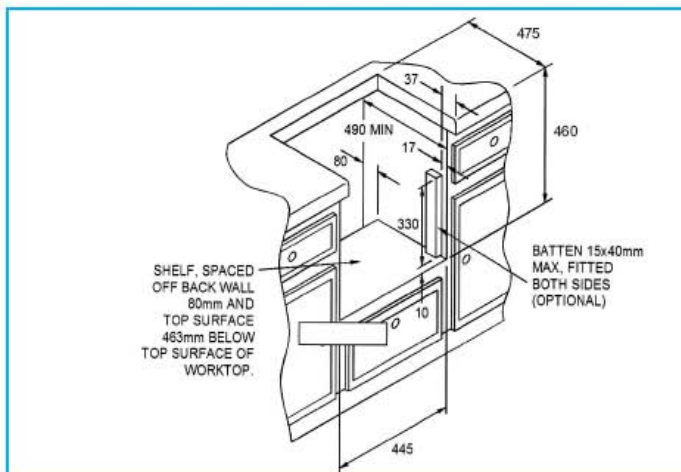
SPECIFICATIONS:

Cut-out dimensions:	460x445x475mm (HxWxD)
Oven capacity:	36 litres
Weight:	21.5kg
Total heat input:	7.1kW
Hotplate burners:	2x1.5kW & 1x1.0kW
Grill burner:	1.6kW
Oven burner:	1.5kW
Accessories:	One oven shelf
	One multi-function pan
	One pan trivet

SPINFLO



* dimensions and values are intended as a guide only and are liable to change during product development.





SPINFLO DUPLEX OVEN/GRILL

FEATURES:

- Seamless stainless steel Oven
- Flame failure safety
- Non-reflective oven door allows viewing while cooking
- Piezo ignition
- Black with stainless steel trim
- Colour: Midnight

Part Number: SA3003MDE

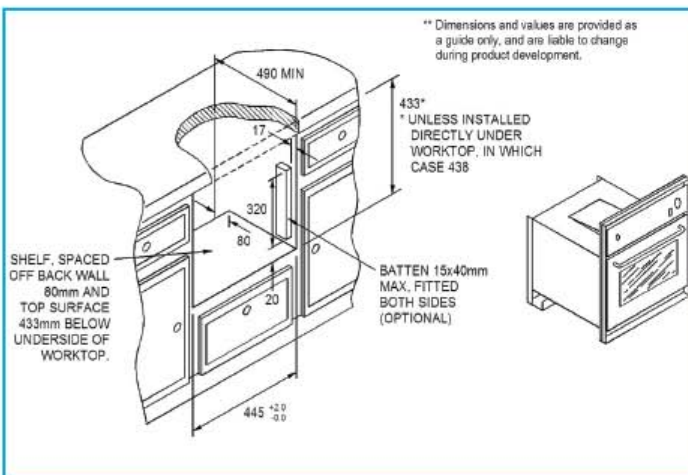


SPINFLO

SPECIFICATIONS:

Overall dimensions:	445x456x440mm (HxWxD)
Oven capacity:	36 litres
Weight:	13.5kg
Total heat input:	3.1kW
Grill burner:	1.6kW
Oven burner:	1.5kW
Accessories:	One oven shelf
	One multi-function pan

* dimensions and values are intended as a guide only and are liable to change during product development.



MK3 CAPRICE - 4 BURNER, GRILL & OVEN

FEATURES:

- Seamless stainless steel oven
- Seamless stainless steel grill
- 3 large burners
- 1 small burner
- Flame failure to all burners
- Electronic ignition
- Non-reflective oven door allows viewing during cooking
- Range of colour options available

Part Number: SA3002*

*PLEASE SPECIFY COLOUR

NEW



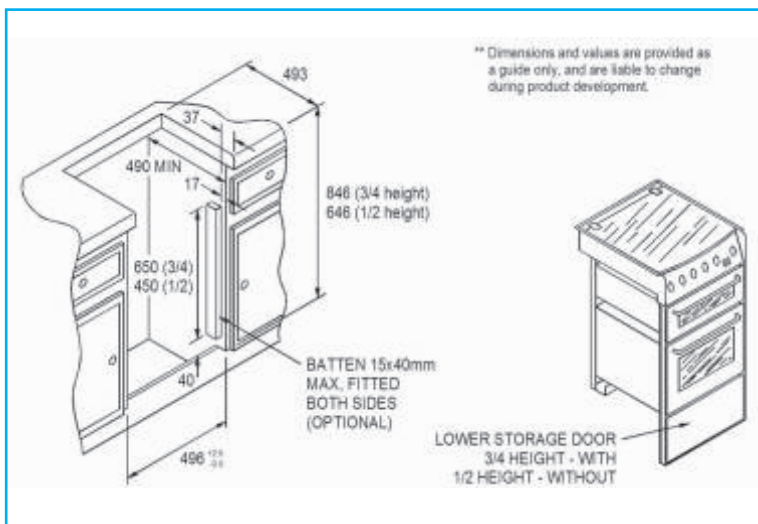
SPINFLO



SPECIFICATIONS:

Overall dimensions:	½ height 644x513x500mm (HxWxD)
Oven capacity:	36 litres
Weight:	27.5kg
Total heat input:	8.6kW
Hotplate burners:	3x1.5kW & 1x1.0kW
Grill burner:	1.6kW
Oven burner:	1.5kW
Accessories:	One oven shelf One multi-function pan One pan trivet

* dimensions and values are intended as a guide only and are liable to change during product development.



SERADA

44 Montgomerie Road, Mangere, Auckland
Ph: 09 257 2419
Fax: 09 255 1910
Email: serada@serada.co.nz
Web: www.serada.co.nz



NELSON 2 Burner, Grill & Oven



The Nelson marine cooker has a large thermostatically controlled oven with separate grill and hob units. They have all the equipment necessary for a marine environment.

Features include:

- Manufactured from high quality stainless steel
- Can be fixed with either Gimbals or as a free standing unit
- 34 litre capacity oven
- 3 oven shelf positions
- Flame Failure Device (FFD)
- Efficient grill and burner units with high and low settings
- Supplied with:
 - Enamelled grill pan with trivet
 - One oven shelf
 - Baking tray and roasting tin

Overall Height	525mm
Height from base to gimbal point	470mm
Width of cooker alone	450mm
Width of cooker and gimbaling attachment	484mm
Distance from back to gimbal point	210mm
Overall Depth	420mm
Gimbaling arc	510mm

SA551 Nelson cooker

Accessories:

- SA552** Sea-rail/pot holder
- SA553** Gimbal fitting

Internal oven dimensions:

Height 252 Width 375mm Depth 360mm

Operating pressure:

Propane 37 mbar
Butane 28 mbar

Heat Input:

1.5kW (burner)
1.5kW (grill)
1.5kW (oven)





SERADA



TECHIMPEX MARINER 2 BURNER WITH GRILL AND OVEN

Stainless steel construction. New battery-electronic ignition and flame failure safety to all burners.

Width 500mm Depth 490mm Height 460mm

SA97SF



3 BURNER WITH OVEN & GRILL

Manufactured from stainless steel.
Piezo ignition and flame failure safety to all burners.
Oven equipped with rotisserie and light.
Sold standard with Searail, Potholders and Gimbals

Width 485 Depth 410 Height 390

Width Including Gimbals 520
Height Including Searail 475

2018-105
SA15777 Without Rotisserie

SMEV SRL



CAPRICE 2040 4 BURNER - GRILL - OVEN

Flame failure safety to all burners. Thermostatically controlled burner in oven. Stainless Steel interior of Grill and Oven. Hinged glass top, separate grill. With Piezo spark ignition. 1x Shelf and Grill Tray Included.

Available in: **Black Knight, Silver Fern, Parchment, Sage, Blue**
(Gold or Silver Handles and Knobs upon request)

Width 496mm Depth 470mm Height 615mm

SA3001P** Add suffix letters **BK,SF,PA,SA, BL** for colour option (e.g. SA3001SFP)



COUNTRY LEISURE MINI GRILL

Bench top flush mounted 4 burner and separate grill.

Built-in with flush mounted glass lid. Flame failure safety to all burners. Stainless steel hob top and stainless steel interior of grill. 1x Grill Tray included. Standard with Silver Knobs and Handles. (Gold Upon Request). Manually Ignited.

Width 490mm Depth 468mm Height 286mm

SA1500BK - BLACK



SERADA



SERIES 400 RV STOVE

4 burner, oven & grill.

Manufactured from stainless steel. Flush mounting with folding glass lid. Piezo ignition and flame failure safety shut off to all burners. Oven equipped with light. Grill Tray included.

Width 515mm Depth 515mm Height 651mm

2014-401

SAEV SRL



SERIES 400 RV GRILL

4 burner & grill.

Manufactured from stainless steel. Flush mounting with folding glass lid. Piezo ignition and flame failure safety shut off to all burners. Grill Tray included.

Width 515mm Depth 515mm Height 278mm

2014-402

SAEV SRL



SERIES 7000 RV STOVE

4 burner, oven & grill. White Enamel.

- Flame failure safety to all burners
- 12 volt Piezo Ignition to oven and grill
- Interior light

Width 486mm Depth 415mm Height 390mm

SAEV SRL



SAEV SRL



OVEN AND GRILL

Fitted with oven thermostat, glass front drop down door and all stainless steel fascia. 12 volt Piezo ignition and flame failure safety. Recess required.

Width 500mm Depth 470mm Height 410mm

2018-150

SAEV SRL



SMEV MINI GRILL

4 burner and grill. Flame failure safety and Piezo spark ignition. Complete with glass lid.

Width 490mm Depth 475mm Height 275mm

2014-002 Silver/Grey
2014-002BLK Black

SAEV SRL



MINI GRILL

Two position grill tray. Piezo ignition fitted. Flame Failure safety.

Width 485mm Depth 425mm Height 240mm

2015-041 Stainless steel

SPINFLO



ARGENT

4 burner with flush mounted glass lid

Compliments Argent built in oven. Flame failure safety to all burners. Auto spark ignition only in combination with SA541 oven.

For Spark Ignition with Hob only order SA072

Width 570mm Depth 470mm

SA540SP Stainless Steel
SA540FP Forest Green (indent only)



SERADA



SPINFLO 2 BURNER HOB & GRILL COMBINATION

Stainless steel construction and flame failure safety.
Suitable for use with SA509 grill box.

Width 400mm Depth 390mm

SA501S Stainless steel
SA501W White



SPINFLO BENCH TOP 3 BURNER HOB

Stainless steel construction and flame failure safety.

Width 390mm Depth 390mm (Cutout size 370mm x 380mm)

SA500



BUILT-IN 4 BURNER HOB & GRILL

Available in: **White** and **Stainless Steel**.

Width 500mm Depth 400mm (Overall)

SA508 With Flame failure (add suffix letter **W** or **S** for colour)

MUST BE SOLD WITH SA509 GRILL BOX



GRILL BOX & DOOR

Suits **SA501**, **SA508**

Available in: **White**

Width 475mm Height 150mm

SA509 Grill Box



SMEV SRL

SMEV 3 BURNER HOB AND SINK

Flame failure safety to all burners.

Width 970mm Depth 430mm

SA3201AGA



SMEV SRL

SMEV 3 BURNER HOB - DROP-IN

Stainless steel construction, complete with glass lid.
Flame failure safety and spark ignition.

Width 560mm Depth 440mm Height 90mm

SA1601AGA



SMEV SRL

SMEV 2 BURNER HOB - DROP-IN

Stainless Steel construction, complete with glass lid.
Flame failure safety and spark ignition.

Width 480mm Depth 370mm Height 90mm

SA1600AGA



SPINFLO

SPINFLO BENCH TOP 2 BURNER HOB

Stainless steel construction and flame failure safety.

Width 400mm Depth 275mm

SA532



SERADA



GasQuip

2 BURNER BENCH TOP HOB

Stainless steel construction with flame failure safety to all solid brass burners.

Width 470mm Depth 340mm

SA20F



Rinnai

2 BURNER & GRILL

Two burner with large roll-out grill & flame failure safety. Piezo Ignition.

Width 560mm Depth 390mm Height 180mm

SA217G (Grey only)



SERADA



SPINFLO

2 BURNER COOKER WITH GRILL

Stainless steel construction. Supplied with grill pan.

Width 440mm Depth 340mm Height 175mm

SA504 Stainless steel, with flame failure safety.

SA510 Optional sea-rail to suit



Gas Quip

2 BURNER COOKER WITH GRILL - PORTABLE

Stainless steel casing and solid brass burner caps. Enamel Base. Enameled lid optional.

Width 500mm Depth 280mm Height 170mm

SA59S No lid

External Use Only

SA59SL With lid

External Use Only

SA106 Optional Sea-rail to suit



Gas Quip

GAS QUIP 2 BURNER COOKER - PORTABLE

Stainless steel construction for marine environment. Flame failure safety and solid brass burner caps.

Width 500mm Depth 280mm Height 90mm

SA10SF No Lid

SA10SFL With Lid

SA106 Optional sea-rail to suit



Gas Quip

GAS QUIP 2 BURNER COOKER

Stainless steel construction with solid brass burner caps.

Width 500mm Depth 280mm Height 80mm

SA32S No lid

External Use Only

SA32SL With hinged lid

External Use Only

SA106 Optional sea-rail to suit



GasQuip

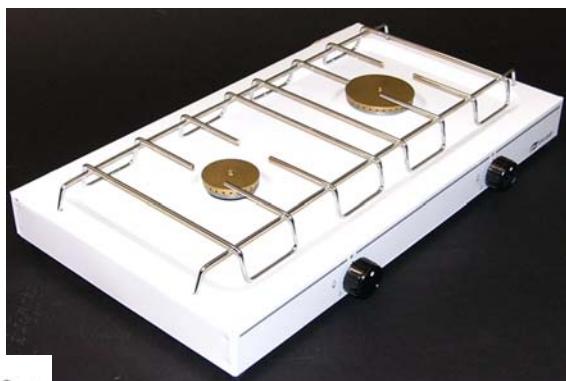
COMPACT 2 BURNER COOKER

Stainless steel burners.

Width 480mm Depth 330mm Height 100mm

SA9

External Use Only



GasQuip

TECHIMPEX 2 BURNER COOKER

GREY Enamel finish with solid brass burner caps.

Width 500mm Depth 280mm Height 80mm

SA19 No lid
External Use Only

SA19L With lid
External Use Only

SA106 Optional sea-rail to suit



HOB, OVEN AND DISHWASHER

CANDY TRIO - a hob, an oven and a dishwasher in one unit.

Easy clean gas hob. Oven includes thermostat, timer, auto switch-off and turn spit, capacity 39 litres. The 6 setting dishwasher has superb cleaning qualities that are attributed to the unique directional water jets.

Width 600mm Depth 600mm Height 870mm

SA12966 220-240VAC 2050 WATTS