



CHROME SWING AWAY TABLE LEG

38mm diameter chrome plated tube.
Components shown above.

Height 740mm, off-set 220mm

SA1565K Kitset

NEW



BREHA SWING AWAY TABLE LEG

38mm diameter brushed stainless tube.

Height 725mm, off-set 245mm

5055-048 Kitset



SA12897 - Single 12v Electric Step
Weight 7.4 kg
538mm Step Board
235mm Mounting Point
197mm Drop to top of step



MANUAL OPERATION STEP

Easy operation due to swing-out action. Galvanized steel frame with aluminium step. Waterproof switch can be used to indicate position of step.

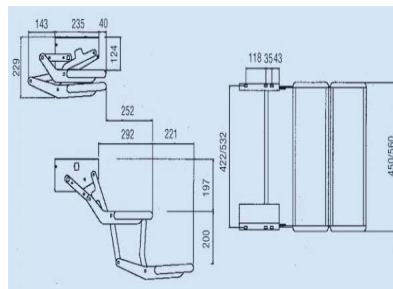
SA13082

ELECTRIC STEPS

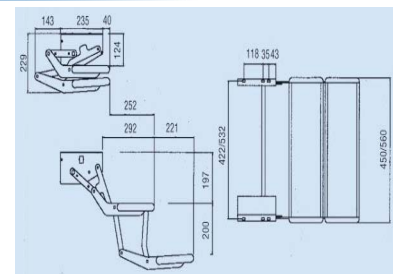
This new series of manual and electric steps merges state-of-the-art technology with expertise gathered over decades. Steps are made from hot-galvanised steel and feature convenient foot-boards made from silver-anodised aluminium section equipped with safety side guards. All electric steps come complete with wiring for guaranteed trouble-free motor operation and user-friendly installation with just a few connections needed.



SA12898 - Double 12v Electric Step
560mm Step Board
Weight 10.5 kg



SA12899 - Double 12v Electric Step
450mm Step Board
Weight 10 kg





SERADA



RV STEP - REINFORCED MATERIAL

It is advisable to use pegs to secure the step to the ground.

W 500mm D 350mm H 230mm

SA386 Grey
SA677 Forest Green



Folding Aluminium Step

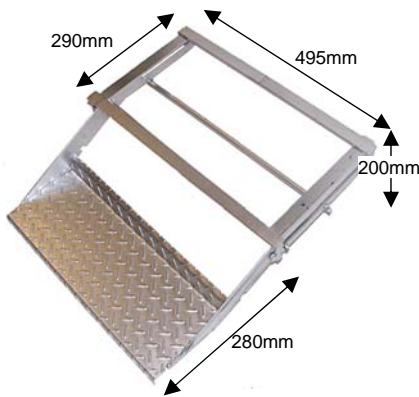
Compact step for caravans and motorhomes. Innovative system with folding legs for easy storage. When legs are open they make the step very stable and sturdy. Carries up to 200kg. Large anti skid surface.

Closed Dimension: W 455mm D 336mm H 38mm
Open Dimension: W 455mm D 336mm H 210mm



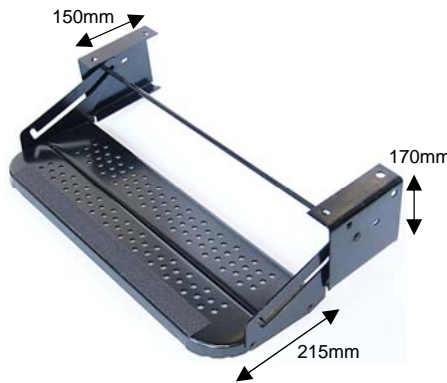
NEW

SA1993 Folding Step



SINGLE PULL-OUT STEP

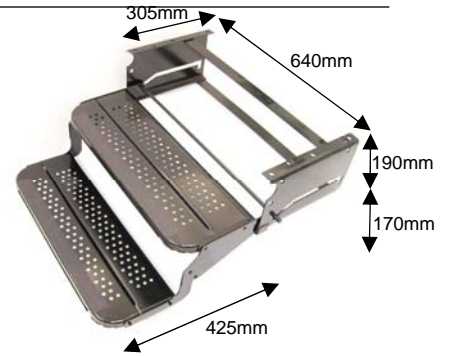
S-4065-150



SINGLE PULL-OUT STEP

Can be bolted or welded to floor.

SA2001 Width 630mm
SA2007 Width 530mm



DOUBLE PULL-OUT STEP

Can be bolted or welded to floor

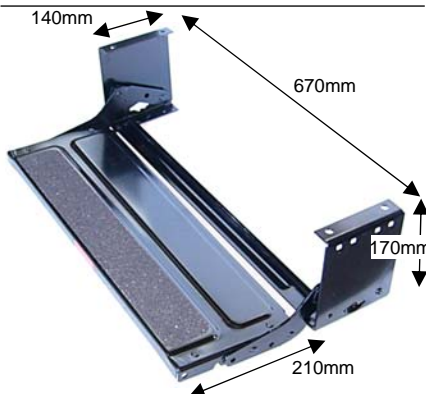
SA2002



TRIPLE PULL-OUT STEP

Can be bolted or welded to floor.
Extended the total height is 470mm.

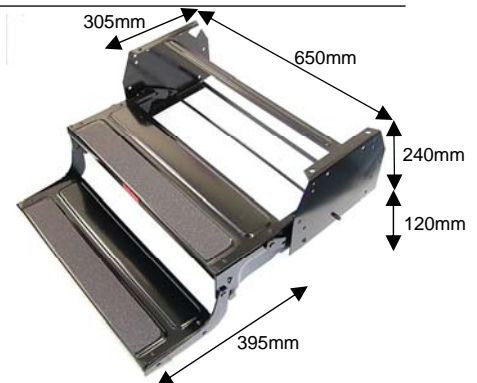
SA2003 Width 670mm



HICKORY SINGLE SWING-OUT STEP

Easy operation due to swing out action and self locking. Heavy gauge corrosion resistant steel. Bolt on out-riggers supplied.

SA2004



HICKORY DOUBLE SWING-OUT STEP

Easy operation due to swing out action and self locking. Heavy gauge corrosion resistant steel.

SA2005